

70 SERIES

CAPACITY: 225 — 600 LBS PER CASTER



31-76-XSR



31-76R-XD

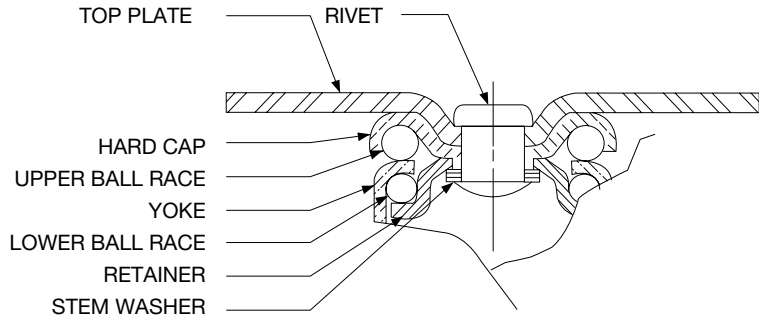


31-76B-XD



31-76-PSE

FEATURES

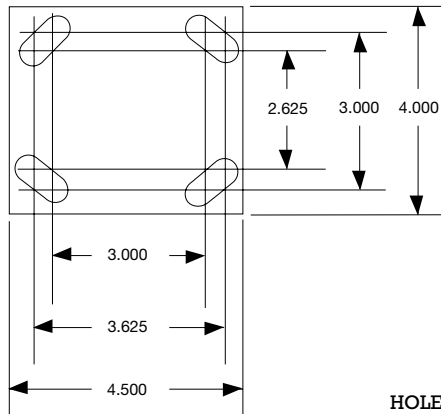


- 3/8" Axle
- 9/16" Rivet.
- Double row ball bearing swivel. Both raceways equal diameter
- Bright zinc finish
- All swivel parts case hardened to Rockwell 62C
- Thread guards standard on wheels

OPTIONS

- Brakes available, on 4", 5", and 6" models. Add letter "B"
- Four Position Swivel locks. Add letter "F".
- Swivel seals with zerk in swivel and axle. Add letter "S".
- Zerk in axle only. Add letter "G".

INSTALLATIONS



HOLES FOR 0.375 BOLTS

NO. 31 (STANDARD ON 70 SERIES)
OPTIONAL TOP PLATES AVAILABLE.

70 SERIES

CAPACITY: 225 – 600 LBS PER CASTER

| WHEEL DIAMETER | TREAD WIDTH | LOAD CAP./LBS | BEARING TYPE | SWIVEL MODEL | RIGID MODEL | SWIVEL RADIUS | OVERALL HEIGHT |
|--|-------------|---------------|----------------|--------------|-------------|---------------|----------------|
| NEOPRENE - SOFT NON MARKING AND NON STAINING — USED ON ANY FLOOR SURFACE - ERGO* | | | | | | | |
| 3" | 1-3/8" | 225 | BALL | 31-73-XD | 31-73R-XD | 3" | 4-5/8" |
| 4" | 1-3/8" | 250 | BALL | 31-74-XD | 31-74R-XD | 3-1/2" | 5-9/16" |
| 5" | 1-3/8" | 275 | BALL | 31-75-XD | 31-75R-XD | 4" | 6-5/8" |
| 6" | 1-5/8" | 300 | BALL | 31-76-XD | 31-76R-XD | 4-7/8" | 7-9/16" |
| NEOPRENE SUPER ROLL - SOFT LOW PROFILE TREAD FOR EASY ROLLING AND SWIVELING - ERGO* | | | | | | | |
| 4" | 1-3/8" | 300 | BALL | 31-74-XSR | 31-74R-XSR | 3-1/2" | 5-9/16" |
| 5" | 1-3/8" | 350 | BALL | 31-75-XSR | 31-75R-XSR | 4" | 6-5/8" |
| 6" | 1-1/2" | 400 | BALL | 31-76-XSR | 31-76R-XSR | 4-7/8" | 7-9/16" |
| SOLID ELASTOMER - VERY LOW STARTING AND ROLLING RESISTANCE - ERGO* | | | | | | | |
| 3" | 1-3/8" | 500 | PRECISION BALL | 31-73-PSE | 31-73R-PSE | 3" | 4-5/8" |
| 4" | 1-3/8" | 600 | PRECISION BALL | 31-74-PSE | 31-74R-PSE | 3-1/2" | 5-9/16" |
| 5" | 1-3/8" | 600 | PRECISION BALL | 31-75-PSE | 31-75R-PSE | 4" | 6-5/8" |
| 6" | 1-3/8" | 600 | PRECISION BALL | 31-76-PSE | 31-76R-PSE | 4-7/8" | 7-9/16" |
| URETHANE - FOR HEAVY LOADS AND ROUGH FLOOR CONDITIONS - ERGO* | | | | | | | |
| 4" | 1-3/8" | 600 | ROLLER | 31-74-TU | 31-74R-TU | 3-1/2" | 5-9/16" |
| 5" | 1-3/8" | 600 | ROLLER | 31-75-TU | 31-75R-TU | 4" | 6-5/8" |
| 6" | 1-3/8" | 600 | ROLLER | 31-76-TU | 31-76R-TU | 4-7/8" | 7-9/16" |
| SEMI-STEEL - CROWNED SEMI-STEEL CASTING | | | | | | | |
| 3" | 1-3/8" | 500 | SLEEVE | 31-73-CI | 31-73R-CI | 3" | 4-5/8" |
| 3" | 1-3/8" | 500 | ROLLER | 31-73-TCI | 31-73R-TCI | 3" | 4-5/8" |
| 4" | 1-3/8" | 600 | SLEEVE | 31-74-CI | 31-74R-CI | 3-1/2" | 5-9/16" |
| 4" | 1-3/8" | 600 | ROLLER | 31-74-TCI | 31-74R-TCI | 3-1/2" | 5-9/16" |
| 5" | 1-3/8" | 600 | SLEEVE | 31-75-CI | 31-75R-CI | 4" | 6-5/8" |
| 5" | 1-3/8" | 600 | ROLLER | 31-75-TCI | 31-75R-TCI | 4" | 6-5/8" |
| 6" | 1-3/8" | 600 | SLEEVE | 31-76-CI | 31-76R-CI | 4-7/8" | 7-9/16" |
| V-GROOVED - ECONOMICAL HANDLING OF HEAVY LOADS ON ANGLE TRACK | | | | | | | |
| 4" | 1-3/8" | 500 | ROLLER | 31-74-TCV | 31-74R-TCV | 3-1/2" | 5-9/16" |
| 5" | 1-1/2" | 600 | ROLLER | 31-75-TCV | 31-75R-TCV | 4" | 6-5/8" |
| HARD RUBBER - HARD SYNTHETIC RUBBER MATERIAL NOT AFFECTED BY OIL OR GREASE | | | | | | | |
| 3" | 1-3/8" | 500 | SLEEVE | 31-73-H | 31-73R-H | 3" | 4-5/8" |
| 4" | 1-3/8" | 550 | SLEEVE | 31-74-H | 31-74R-H | 3-1/2" | 5-9/16" |
| 5" | 1-3/8" | 600 | SLEEVE | 31-75-H | 31-75R-H | 4" | 6-5/8" |
| 6" | 1-3/8" | 600 | SLEEVE | 31-76-H | 31-76R-H | 4-7/8" | 7-9/16" |

* Ergonomically designed for easy rolling.

SLEEVE - M - BEARINGS AVAILABLE FOR WET APPLICATIONS.